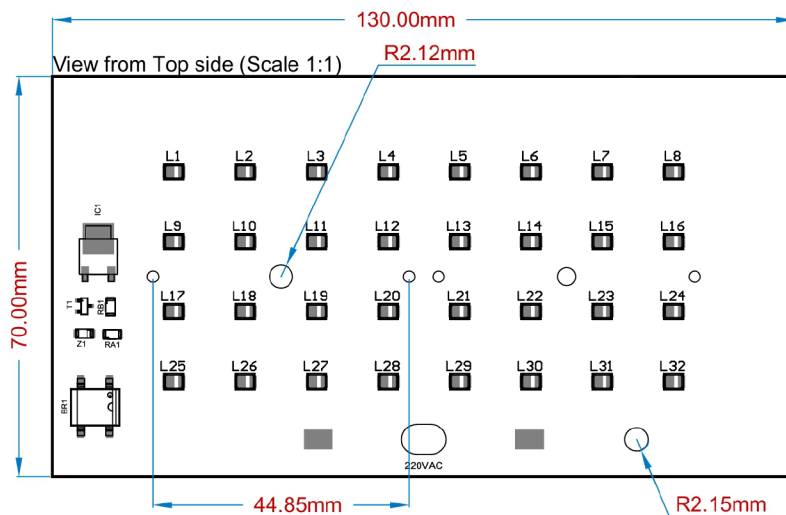
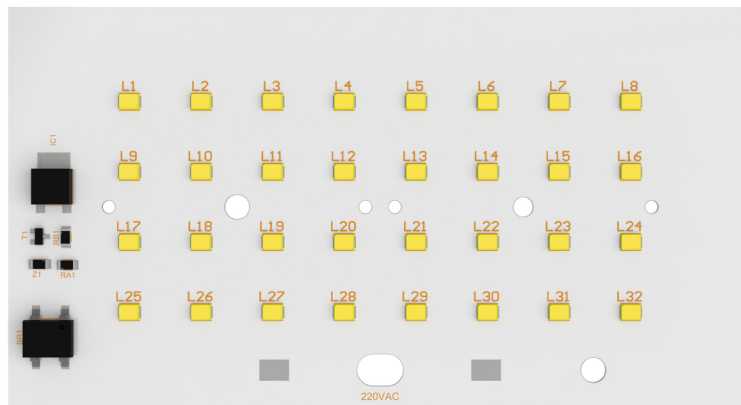


EL-130X70-3201-L128

New Exprience Of Lighting

- Lumileds 2835RB 6V
- Constant Color, MacAdams Step 3
- Substrate:ALU
- PCB Thickness:1.6 mm
- Copper Weight:35 μ m
- Surface Treatment:HASL
- Thermal Conductivity:1W/mk
- Breakdown Voltage:2000V
- No Connector
- P5B52HP2 Mosfet
- DF10S 0.5A Diode
- BC817 Transistor
- Diode Zener 0.5W 7V5



Electrical Specification

Product Code	Colour	Luminous Flux TC:25°C	Forward Voltage Flux TC:25°C	Serial	Parallel	Power Consumption TC:25°C	Efficacy TC:25°C	CRI
	(k)	(lm)	(VAC)			(w)	(lm/w)	(Ra)
EL-130X70-3201-L128	4000	4478	230.00	32	1	30.00	149.26	80

**These values are estimated.

